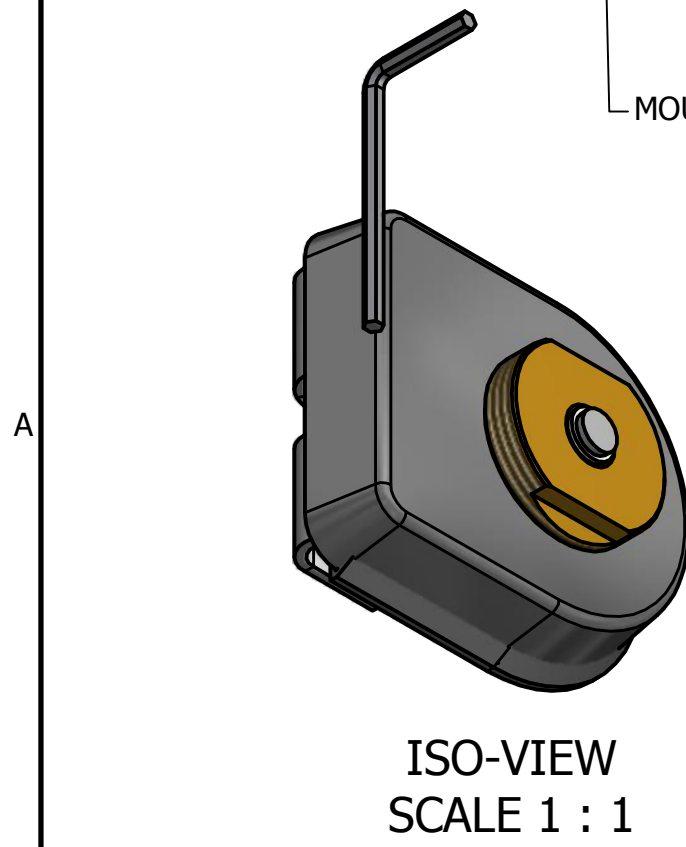
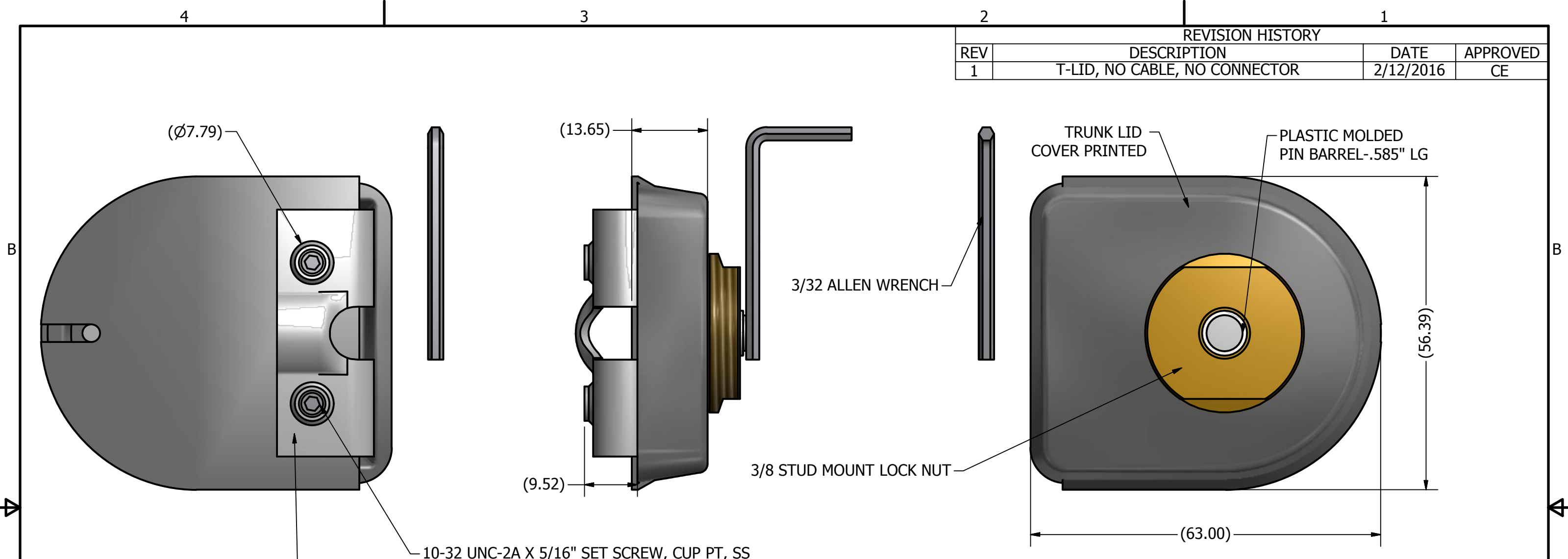


REVISION HISTORY			
REV	DESCRIPTION	DATE	APPROVED
1	T-LID, NO CABLE, NO CONNECTOR	2/12/2016	CE



NOTES: UNLESS OTHERWISE SPECIFIED  
 1. A (REF) DIMENSION IS FOR INFORMATION PURPOSES ONLY AND NO TOLERANCE IS IMPLIED.

SUPPLIER PRINT ACCEPTANCE: <input type="checkbox"/> Accept drawing/specification: No changes needed: <input type="checkbox"/> This part is RoHS compliant <input type="checkbox"/> This part is REACH compliant <input type="checkbox"/> Accept drawing/specification. Notes/Mark-ups added <input type="checkbox"/> Cannot accept drawing/spec. Notes/Mark-ups added Supplier Projected Outgoing Quality: SIGMA LEVEL : _____ or PPM: _____ Signature _____ Date: _____	UNLESS OTHERWISE SPECIFIED DIMENSIONS ARE IN MILLIMETERS FOR TOLERANCES NOT SPECIFIED USE: [X mm ± 3 mm] [X.X mm ± .3 mm] [X.XX mm ± .13 mm] ANGULAR ± 1°	DRAWN: chloengel DATE: 1/15/2016 CHECKED: _____ DATE: _____	PCTEL, INC. 471 BRIGHTON DRIVE BLOOMINGDALE, IL 60108 PH. 630-372-6800 FAX. 630-372-8077
	THIRD ANGLE PROJECTION 	MATERIAL: SEE COMPONENT PRINTS FINISH: SEE COMPONENT PRINTS	
PCTEL PROPRIETARY DATA THE INFORMATION AND/OR DRAWINGS CONTAINED IN THIS DOCUMENT IS CONFIDENTIAL AND PROPRIETARY TO PCTEL, INC. AND MAY NOT BE USED, REPRODUCED, IN WHOLE OR IN PART, OR MODIFIED IN ANY WAY WITHOUT THE EXPRESS WRITTEN PERMISSION OF AN AUTHORIZED REPRESENTATIVE OF PCTEL, INC.			DRAWING NO.: TTT_ODD
SIZE: B		SCALE: 1:1	SHEET: 1 OF 1